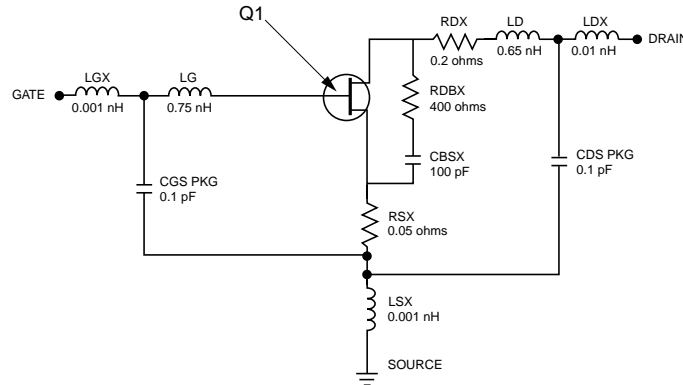


SCHEMATIC



FET NONLINEAR MODEL PARAMETERS (1)

Parameters	Q1	Parameters	Q1
VTO	-0.756	RG	0.05
VTOSC	0	RD	0.001
ALPHA	2	RS	0.001
BETA	2.245	RGMET	0
GAMMA	0	KF	0
GAMMADC ⁽²⁾	0.01	AF	1
Q	1.7	TNOM	27
DELTA	0	XTI	3
VBI	0.6	EG	1.43
IS	1e-16	VTOTC	0
N	1	BETATCE	0
RIS	0	FFE	1
RID	0		
TAU	10e-12		
CDS	0.5e-12		
RDB	0.001		
CBS	0		
CGSO ⁽³⁾	20e-12		
CGDO ⁽⁴⁾	4e-12		
DELTA1	0.3		
DELTA2	0.2		
FC	0.5		
VBR	Infinity		

UNITS

Parameter	Units
capacitance	picofarads
inductance	nanohenries
resistance	ohms

MODEL RANGE

Frequency: 0.5 to 4 GHz
 Bias: $V_{DS} = 2.2 \text{ V to } 5 \text{ V}$, $I_D = 150 \text{ mA to } 300 \text{ mA}$
 Date: 3/29/2000

(1) Series IV Libra TOM Model

The parameter in Libra corresponds to the parameter in PSpice:

- | | |
|-------------|-------|
| (2) GAMMADC | GAMMA |
| (3) CGSO | CGS |
| (4) CGDO | CGD |

California Eastern Laboratories

EXCLUSIVE NORTH AMERICAN AGENT FOR **NEC** RF, MICROWAVE & OPTOELECTRONIC SEMICONDUCTORS

CEL CALIFORNIA EASTERN LABORATORIES • Headquarters • 4590 Patrick Henry Drive • Santa Clara, CA 95054-1817 • (408) 988-3500 • Telex 34-6393 • FAX (408) 988-0279
 24-Hour Fax-On-Demand: 800-390-3232 (U.S. and Canada only) • Internet: <http://WWW.CEL.COM>

DATA SUBJECT TO CHANGE WITHOUT NOTICE

4/03/2000