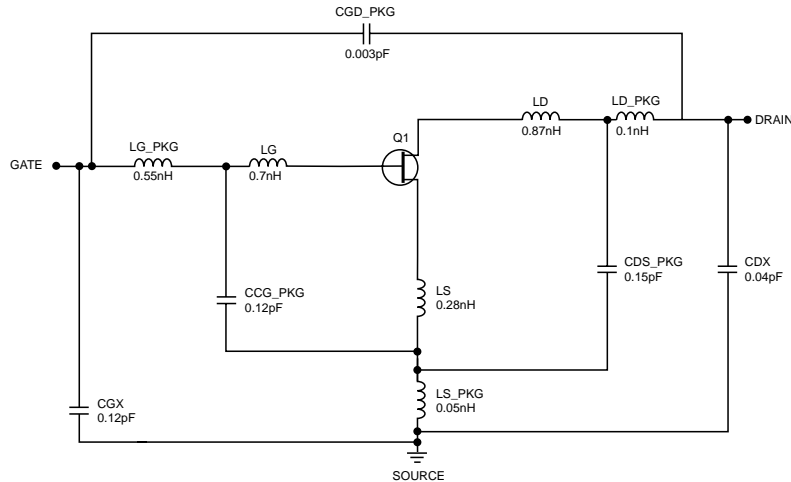


SCHEMATIC



FET NONLINEAR MODEL PARAMETERS (1)

Parameters	Q1	Parameters	Q1
VTO	-0.5935	RG	2.5
VTOSC	0	RD	3
ALPHA	7	RS	1.5
BETA	1.14	RGMET	0
GAMMA	0.044	KF	0
GAMMADC	0.03	AF	1
Q	3.5	TNOM	27
DELTA	0	XTI	3
VBI	0.8	EG	1.43
IS	1e-14	VTOTC	0
N	1.3	BETATCE	0
RIS	2.3	FFE	1
RID	2.3		
TAU	1e-12		
CDS	0.1e-12		
RDB	5000		
CBS	1e-11		
CGSO	1.2e-12		
CGDO	0.145e-12		
DELTA 1	0.3		
DELTA 2	0.2		
FC	0.5		
VBR	Infinity		

UNITS

Parameter	Units
time	seconds
capacitance	farads
inductance	henries
resistance	ohms
voltage	volts
current	amps

MODEL RANGE

Frequency: 0.5 to 12 GHz
 Bias: $V_{DS} = 2\text{ V to }3\text{ V}$, $I_D = 10\text{ mA to }40\text{ mA}$
 $I_{DSS} = 97\text{ mA @ }V_{GS} = 0\text{ V}$, $V_{DS} = 2\text{ V}$
 Power: $V_{DS} = 2\text{ V}$, $I_D = 20\text{ mA}$, 2 GHz
 Date: 4/98

(1) Series IV Libra TOM Model