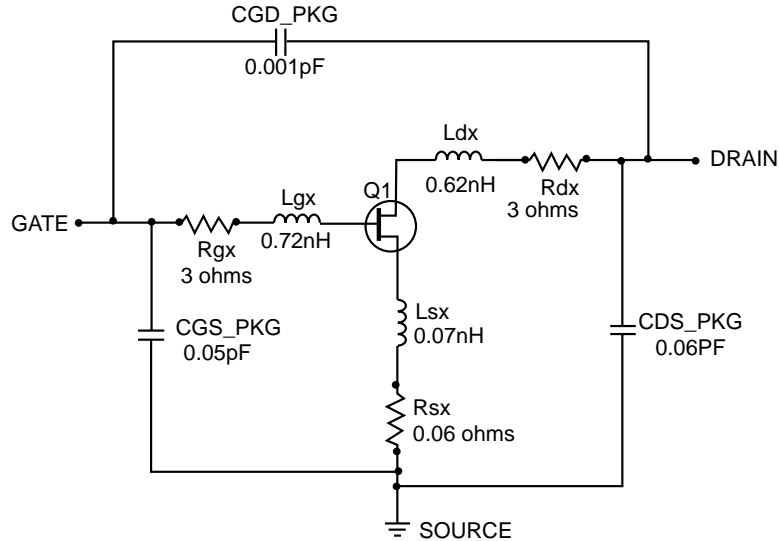


SCHEMATIC



FET NONLINEAR MODEL PARAMETERS ⁽¹⁾

Parameters	Q1	Parameters	Q1
VTO	-0.806	RG	0.2
VTOSC	0	RD	1
ALPHA	8	RS	1
BETA	0.121	RGMET	0
GAMMA	0.085	KF	0
GAMMADC	0.067	AF	1
Q	2.2	TNOM	27
DELTA	0	XTI	3
VBI	0.5	EG	1.43
IS	1e-14	VTOTC	0
N	1	BETATCE	0
RIS	0	FFE	1
RID	0		
TAU	7e-12		
CDS	0.12e-12		
RDB	5000		
CBS	1e-9		
CGSO	0.42e-12		
CGDO	0.04e-12		
DELTA1	0.3		
DELTA2	0.25		
FC	0.5		
VBR	Infinity		

(1) Series IV Libra TOM Model

UNITS

Parameter	Units
time	seconds
capacitance	farads
inductance	henries
resistance	ohms
voltage	volts
current	amps

MODEL RANGE

Frequency: 0.1 to 18 GHz
 Bias: $V_{bs} = 1\text{ V to }3\text{ V}$, $I_D = 5\text{ mA to }20\text{ mA}$
 Date: 6/98

Note:
 This nonlinear model utilized the latest data available.
 See our Design Parameter Library at www.cel.com for this data.