

### SCHEMATIC

(see Page 2)

### FET NONLINEAR MODEL PARAMETERS <sup>(1)</sup>

Parameters	Q1	Parameters	Q1
VTO	-0.73	RG	0
VTOSC	0	RD	0
ALPHA	4	RS	0
BETA	0.063	RGMET	0
GAMMA	0	KF	0
GAMMADC <sup>(2)</sup>	0.06	AF	1
Q	2.2	TNOM	27
DELTA	0.7	XTI	3
VBI	0.626	EG	1.43
IS	1.98e-11	VTOTC	0
N	1.4	BETATCE	0
RIS	0	FFE	1
RID	0		
TAU	3.2e-12		
CDS	0.11e-12		
RDB	Infinity		
CBS	0		
CGSO <sup>(3)</sup>	0.4e-12		
CGDO <sup>(4)</sup>	0.04e-12		
DELTA <sup>1</sup>	0.3		
DELTA <sup>2</sup>	0.2		
FC	0.5		
VBR	Infinity		

### UNITS

Parameter	Units
capacitance	picofarads
inductance	nanohenries
resistance	ohms

### MODEL RANGE

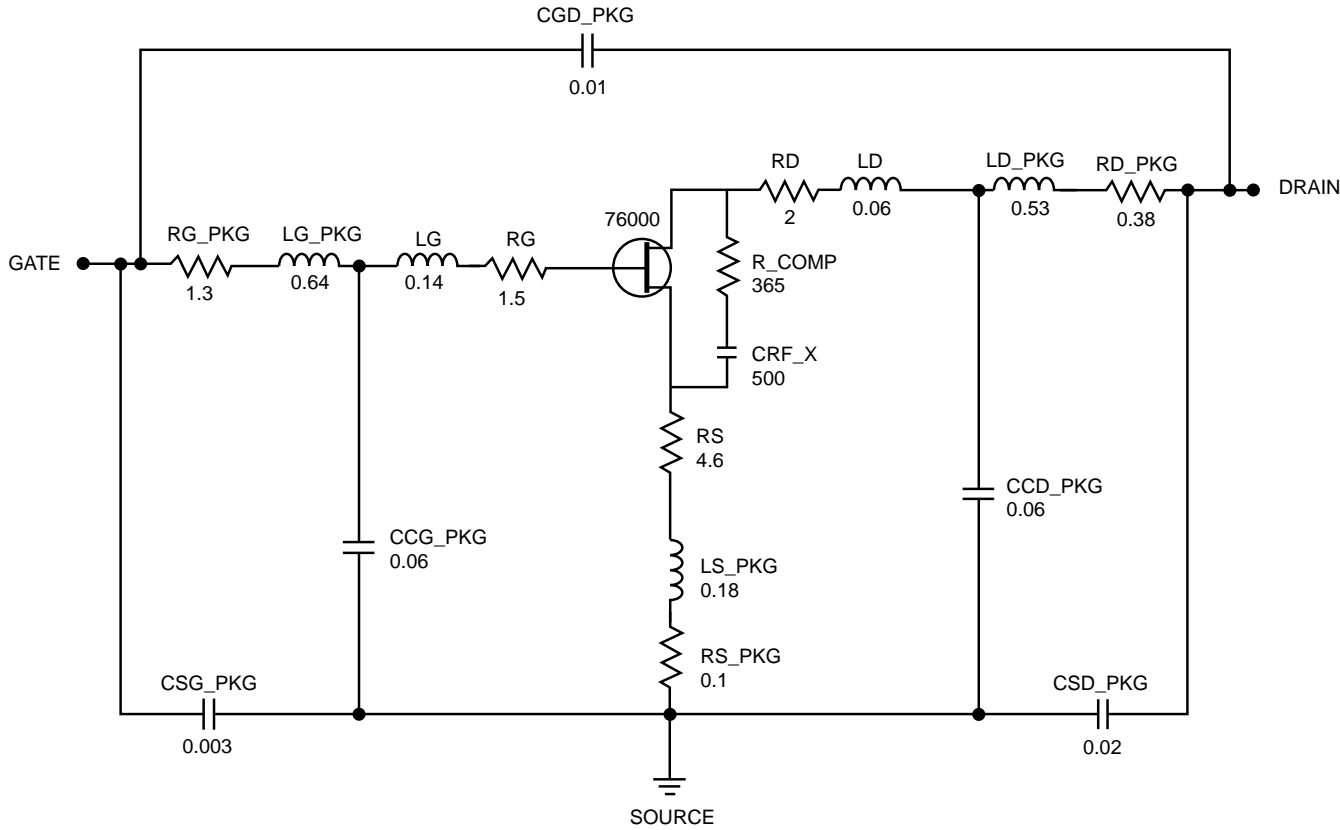
Frequency: 0.1 to 18 GHz  
Bias:  $V_{DS} = 3\text{ V}$ ,  $I_D = 10\text{ mA}$  to  $30\text{ mA}$   
Date: 8/30/96

(1) Series IV Libra TOM Model

The parameter in Libra corresponds to the parameter in PSpice:

- |             |       |
|-------------|-------|
| (2) GAMMADC | GAMMA |
| (3) CGSO    | CGS   |
| (4) CGDO    | CGD   |

**SCHEMATIC**



**UNITS**

Parameter	Units
capacitance	picofarads
inductance	nanohenries
resistance	ohms

**MODEL RANGE**

Frequency: 0.1 to 18 GHz  
 Bias:  $V_{ds} = 3\text{ V}$ ,  $I_D = 10\text{ mA}$  to  $30\text{ mA}$   
 Date: 8/30/96