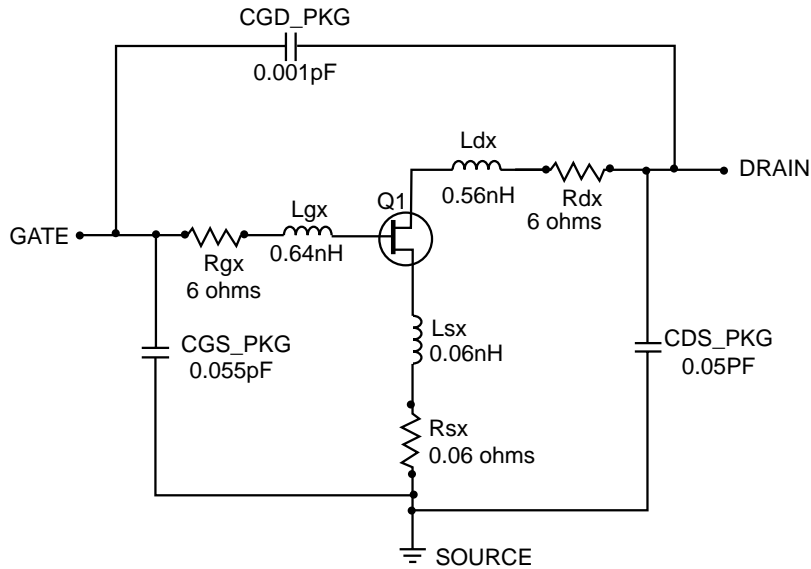


SCHEMATIC



FET NONLINEAR MODEL PARAMETERS ⁽¹⁾

Parameters	Q1	Parameters	Q1
VTO	-0.825	RG	7
VTOSC	0	RD	4
ALPHA	7	RS	4
BETA	0.148	RGMET	0
GAMMA	0.083	KF	0
GAMMADC	0.05	AF	1
Q	2.5	TNOM	27
DELTA	0.7	XTI	3
VBI	0.6	EG	1.43
IS	1e-14	VTOTC	0
N	1	BETATCE	0
RIS	0	FFE	1
RID	0		
TAU	3e-12		
CDS	0.13e-12		
RDB	5000		
CBS	1e-9		
CGSO	0.42e-12		
CGDO	0.023e-12		
DELTA1	0.3		
DELTA2	0.6		
FC	0.5		
VBR	Infinity		

UNITS

Parameter	Units
time	seconds
capacitance	farads
inductance	henries
resistance	ohms
voltage	volts
current	amps

MODEL RANGE

Frequency: 0.1 to 12 GHz
 Bias: $V_{DS} = 1\text{ V to }3\text{ V}$, $I_D = 5\text{ mA to }30\text{ mA}$
 Date: 1/98

(1) Series IV Libra TOM Model