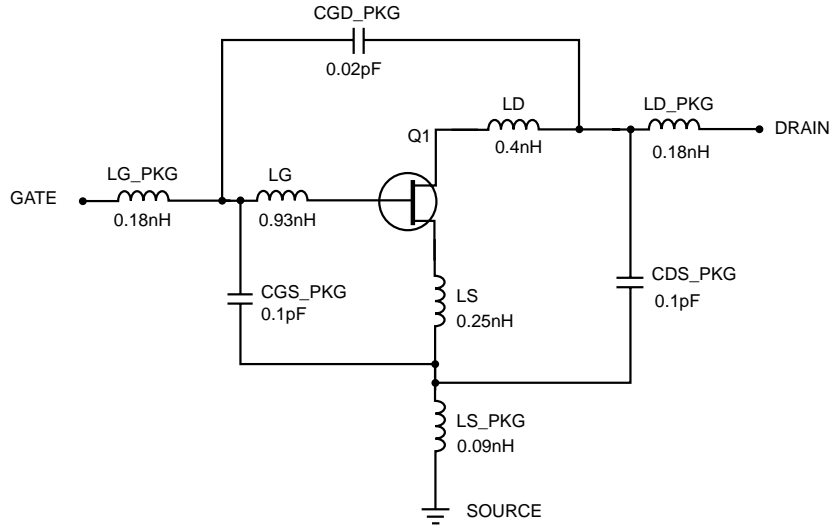


### SCHEMATIC



### FET NONLINEAR MODEL PARAMETERS (1)

Parameters	Q1	Parameters	Q1
VTO	-0.6885	RG	4
VTOSC	0	RD	1.5
ALPHA	5	RS	2
BETA	0.1838	RGMET	0
GAMMA	0.038	KF	0
GAMMADC	0.03	AF	1
Q	1.8	TNOM	27
DELTA	0.25	XTI	3
VBI	0.7	EG	1.43
IS	3e-13	VTOTC	0
N	1	BETATCE	0
RIS	0	FFE	1
RID	0		
TAU	4e-12		
CDS	0.1e-12		
RDB	5000		
CBS	1e-11		
CGSO	0.95e-12		
CGDO	0.04e-12		
DELTA1	0.3		
DELTA2	0.05		
FC	0.5		
VBR	Infinity		

(1) Series IV Libra TOM Model

### UNITS

Parameter	Units
time	seconds
capacitance	farads
inductance	henries
resistance	ohms
voltage	volts
current	amps

### MODEL RANGE

Frequency: 0.5 to 6 GHz  
 Bias:  $V_{DS} = 1\text{ V to }3\text{ V}$ ,  $I_D = 5\text{ mA to }40\text{ mA}$   
 Date: 6/97