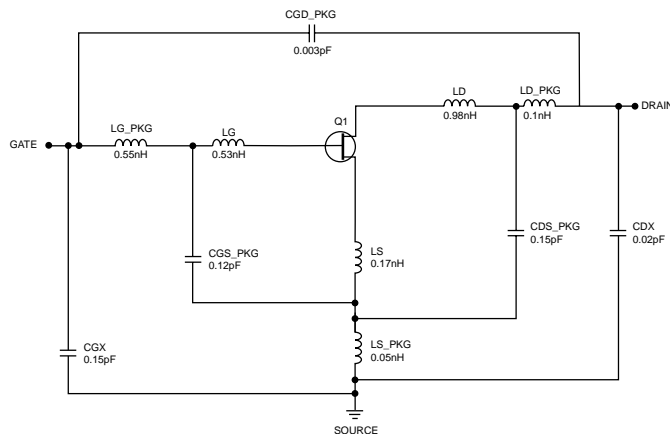


SCHEMATIC



FET NONLINEAR MODEL PARAMETERS (1)

Parameters	Q1	Parameters	Q1
VTO	-1.32	RG	5
VTOSC	0	RD	4
ALPHA	2.5	RS	4
BETA	0.0281	RGMET	0
GAMMA	0.08	KF	1.36e-10
GAMMADC	0.05	AF	1.74
Q	2	TNOM	27
DELTA	1.1	XTI	3
VBI	0.6	EG	1.43
IS	1e-14	VTOTC	0
N	1	BETATCE	0
RIS	0	FFE	1
RID	0		
TAU	4e-12		
CDS	0.21e-12		
RDB	5000		
CBS	1e-10		
CGSO	0.65e-12		
CGDO	0.046e-12		
DELTA 1	0.05		
DELTA 2	0.2		
FC	0.5		
VBR	Infinity		

UNITS

Parameter	Units
time	seconds
capacitance	farads
inductance	henries
resistance	ohms
voltage	volts
current	amps

MODEL RANGE

Frequency: 0.5 to 18 GHz
 Bias: $V_{DS} = 2\text{ V to }4\text{ V}$, $I_D = 10\text{ mA to }30\text{ mA}$
 $I_{DSS} = 41\text{ mA @ }V_{GS} = 0\text{ V}, V_{DS} = 3\text{ V}$
 Power: $V_{DS} = 3\text{ V}$, $I_D = 30\text{ mA}$, 4 GHz
 Date: 4/98

(1) Series IV Libra TOM Model

California Eastern Laboratories

EXCLUSIVE NORTH AMERICAN AGENT FOR **NEC** RF, MICROWAVE & OPTOELECTRONIC SEMICONDUCTORS

CEL CALIFORNIA EASTERN LABORATORIES • Headquarters • 4590 Patrick Henry Drive • Santa Clara, CA 95054-1817 • (408) 988-3500 • Telex 34-6393 • FAX (408) 988-0279
 24-Hour Fax-On-Demand: 800-390-3232 (U.S. and Canada only) • Internet: <http://WWW.CEL.COM>

DATA SUBJECT TO CHANGE WITHOUT NOTICE

PRINTED IN USA ON RECYCLED PAPER -10/98