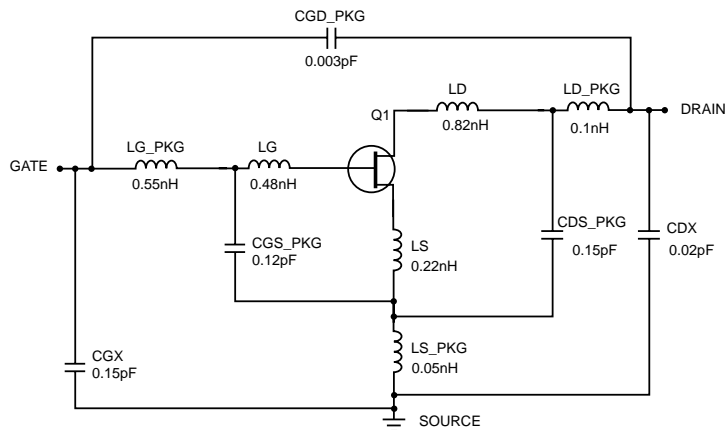


### SCHEMATIC



### FET NONLINEAR MODEL PARAMETERS (1)

Parameters	Q1	Parameters	Q1
VTO	-1.34	RG	10
VTOSC	0	RD	4
ALPHA	2.5	RS	4
BETA	0.04	RGMET	0
GAMMA	0.07	KF	2e-10
GAMMADC	0.03	AF	1.5
Q	2	TNOM	27
DELTA	0.3	XTI	3
VBI	1	EG	1.43
IS	1e-14	VTOTC	0
N	1.3	BETATCE	0
RIS	0	FFE	1
RID	0		
TAU	4e-12		
CDS	0.27e-12		
RDB	5000		
CBS	1e-10		
CGSO	0.85e-12		
CGDO	0.055e-12		
DELTA1	0.3		
DELTA2	0.3		
FC	0.5		
VBR	Infinity		

### UNITS

Parameter	Units
time	seconds
capacitance	farads
inductance	henries
resistance	ohms
voltage	volts
current	amps

### MODEL RANGE

Frequency: 0.5 to 18 GHz  
 Bias:  $V_{DS} = 2\text{ V to }4\text{ V}$ ,  $I_D = 10\text{ mA to }40\text{ mA}$   
 $I_{DSS} = 55\text{ mA @ }V_{GS} = 0, V_{DS} = 3\text{ V}$   
 Power:  $V_{DS} = 3\text{ V}$ ,  $I_D = 30\text{ mA}$ , 4 GHz  
 Date: 4/98

(1) Series IV Libra TOM Model