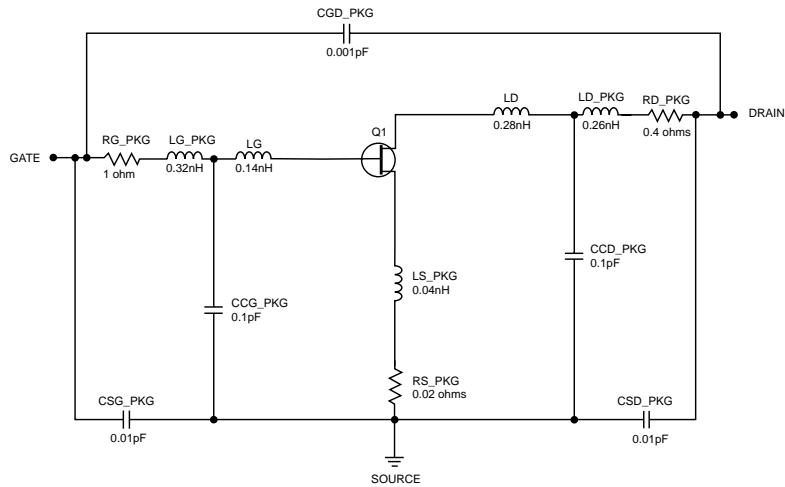


SCHEMATIC



FET NONLINEAR MODEL PARAMETERS (1)

Parameters	Q1	Parameters	Q1
VTO	-1.04	RG	6
VTOSC	0	RD	2
ALPHA	4.5	RS	2
BETA	0.0409	RGMET	0
GAMMA	0.076	KF	0
GAMMADC	0.05	AF	1
Q	1.9	TNOM	27
DELTA	0.42	XTI	3
VBI	1	EG	1.43
IS	7.3e-12	VTOTC	0
N	1.2	BETATCE	0
RIS	0	FFE	1
RID	0		
TAU	6e-12		
CDS	0.25e-12		
RDB	2000		
CBS	1e-9		
CGSO	0.5e-12		
CGDO	0.04e-12		
DELTA 1	0.3		
DELTA 2	0.2		
FC	0.5		
VBR	Infinity		

UNITS

Parameter	Units
time	seconds
capacitance	farads
inductance	henries
resistance	ohms
voltage	volts
current	amps

MODEL RANGE

Frequency: 0.1 to 18 GHz
 Bias: $V_{DS} = 2\text{ V to }4\text{ V}$, $I_D = 10\text{ mA to }30\text{ mA}$
 $I_{DSS} = 45.56\text{ mA @ }V_{GS} = 0$,
 $V_{DS} = 3\text{ V}$
 Date: 1/98

(1) Series IV Libra TOM Model